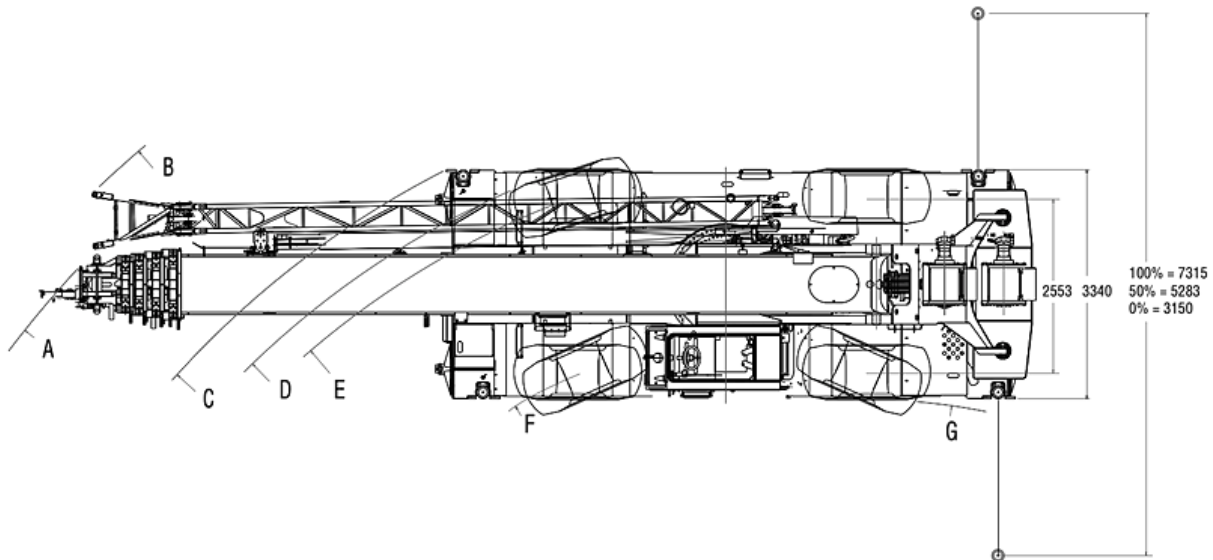
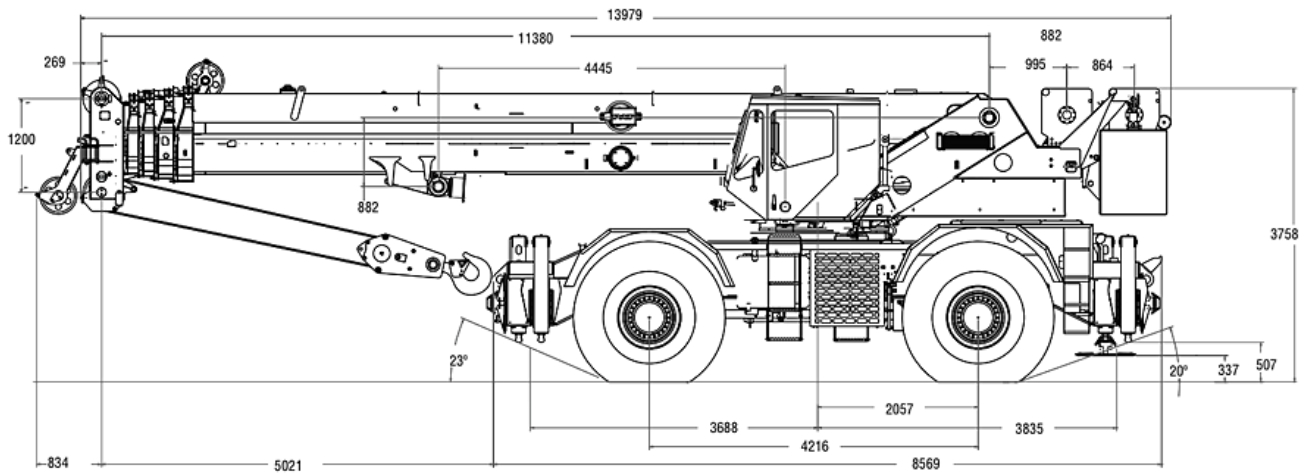


RESUMEN ESPECIFICACIONES GROVE RT890E



Dimensiones GROVE RT890 E

	A	B	C	D	E	F	G
4 x 4 x 2	15723	16358	13614	12929	12497	10109	8788
4 x 4 x 4	11125	11608	8433	7772	7341	4928	4115



• **Nota: Dimensiones de referencia en mm**

Tabla de Carga - Alcance de trabajo

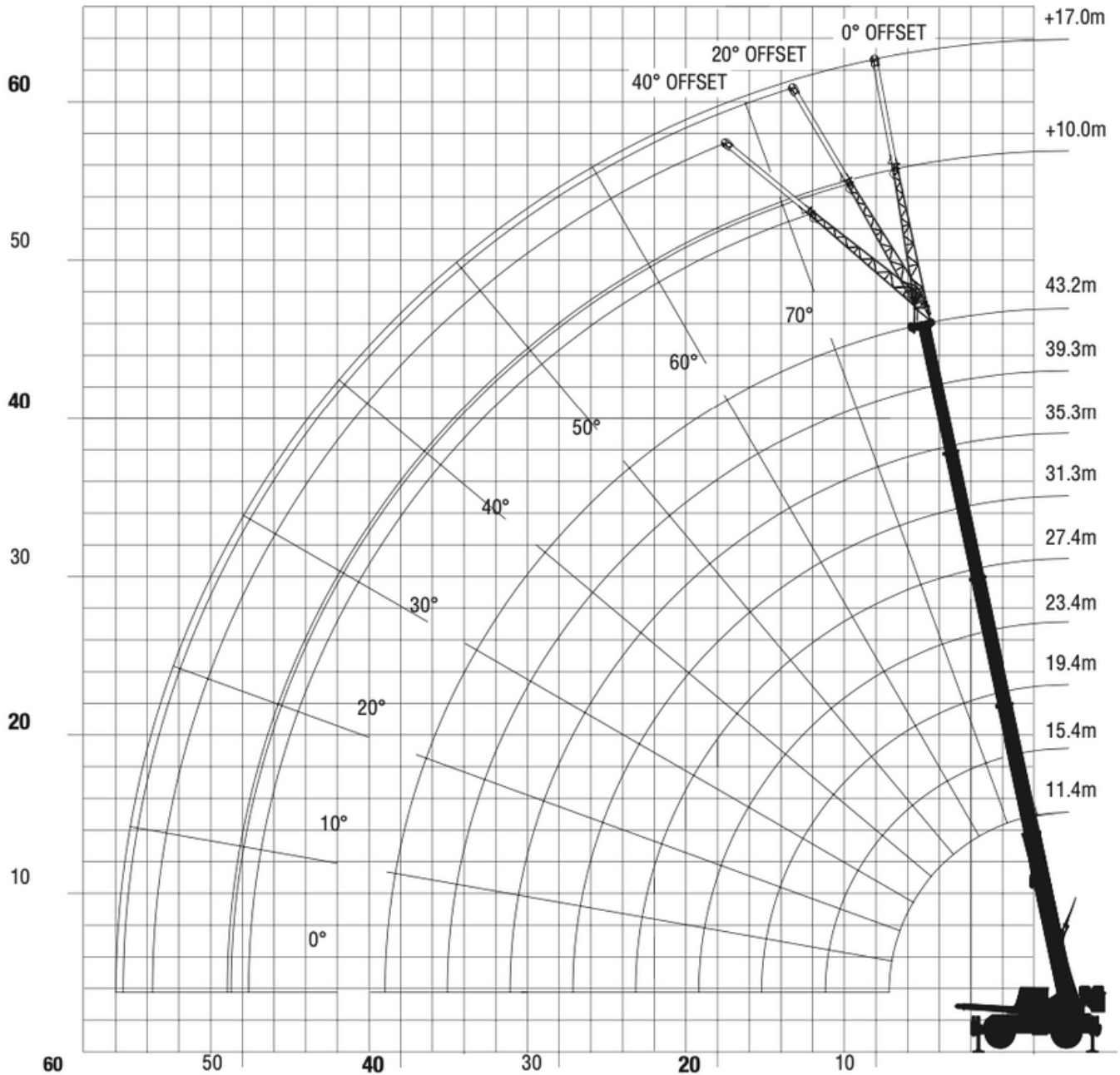



Tabla de Carga

 11,4 - 43,2 m

 100 %

 360°

 9,979 t

 **MODE A**  **85 %** **RT890E**

Radius m	11,4	15,4	19,3	23,3	27,3	31,2	35,2	43,2
3,0	80,000	60,775	36,650					
3,5	73,650	60,775	36,650					
4,0	66,225	59,950	36,650	17,550				
4,5	59,425	58,775	36,650	17,550				
5,0	54,550	54,725	35,375	17,550	17,450			
6,0	45,475	45,600	32,450	17,550	17,450	17,400		
7,0	38,975	39,100	29,850	17,550	17,450	17,400		
8,0	32,650	34,200	27,450	17,550	17,450	17,300	11,050	
9,0	24,550	28,300	25,350	17,550	17,450	17,025	11,050	
10,0		23,125	23,100	17,550	17,000	15,900	11,050	11,050
12,0		16,475	16,225	17,075	15,075	13,600	11,050	11,000
14,0			12,025	12,825	13,075	11,800	10,850	9,755
16,0			9,175	9,905	10,600	10,325	9,525	8,550
18,0				7,785	8,425	8,855	8,425	7,475
20,0				6,160	6,770	7,200	7,495	6,565
22,0					5,475	5,900	6,325	5,455
24,0					4,415	4,860	5,280	4,430
26,0						4,000	4,425	3,585
28,0						3,270	3,705	2,885
30,0							3,095	2,285
32,0							2,560	1,775
34,0								1,330
36,0								0,940
38,0								0,585

AG-829-103463

 **MODE B**  **85 %** **RT890E**

Radius m	11,4	15,4	19,4	23,4	27,4	31,3	35,3	39,3	43,2
3,0	80,000	60,775	44,225						
3,5	73,650	60,775	44,225						
4,0	66,225	59,725	44,225						
4,5	59,425	58,200	44,225	31,725					
5,0	54,550	53,975	42,775	30,900	21,125				
6,0	45,475	44,975	39,400	29,025	21,125	17,550			
7,0	38,975	38,550	36,025	26,550	19,875	17,550			
8,0	32,650	33,600	32,675	24,200	18,500	17,450	16,850	13,975	
9,0	24,550	27,500	27,800	22,125	17,125	17,225	16,000	13,975	
10,0		22,275	22,350	20,375	15,900	15,975	14,825	13,475	11,050
12,0		15,575	15,475	15,475	13,725	13,500	12,650	11,900	11,000
14,0			11,125	11,300	11,250	11,525	10,850	10,275	9,755
16,0			8,245	8,470	8,355	8,965	9,375	8,935	8,550
18,0				6,430	6,260	6,870	7,480	7,775	7,475
20,0				4,870	4,675	5,285	5,890	6,310	6,565
22,0					3,440	4,045	4,650	5,050	5,455
24,0					2,425	3,045	3,650	4,040	4,430
26,0						2,230	2,830	3,210	3,585
28,0						1,525	2,145	2,515	2,885
30,0							1,565	1,925	2,285
32,0							1,050	1,420	1,775
34,0								0,975	1,330
36,0								0,580	0,940
38,0									0,585

AG-829-103461